



weelko

2246EBS

GYNA

Gynecology bed

1. About This Manual

This manual shall only be used for the reference of operation of this particular model. If the manual is used for other purposes, SILVERFOX will not undertake any according consequences and responsibility. All information of this manual shall be protected by copyright and shall not be copied and translated in any part of this specification without the written consent of our company SILVERFOX.

2. Warning

- Power supply must be cut off when changing electrical components or maintaining and cleaning machines.
- The plug must be plugged into an outlet that is properly installed and grounded, to prevent the risk of fire and electric shock.
- Do not stand on this equipment.
- Do not allow children to play with and place the equipment in a place where children can touch. Please adjust the backrest to the highest position when you leave.
- Please do not place the equipment in wet places such as bathroom to avoid electric shock or other failure; Also keep the controllers away from water.
- Please do not place and operate the equipment in places where is painting/coating or supplying oxygen.
- Unless being monitored or instructed by personnel who can be responsible for their personal safety, the people who have physical obstacles, tactile disorders, mental disorders, lack of experience, common sense or children, are not allowed to use the equipment.
- Please contact distributor, service center or related personal with appropriate skill and experience for repairing if the plug is damaged, in case of any danger.
- Please make sure there is no accessible thing within the stroke during any operation of the chairs.
- Operation should be processed by trained professionals.
- The ME EQUIPMENT that are not serviced or maintained while in use with the patient.
- Do not use the device near electromagnetic transmitters.
- Read and follow the "information about Electromagnetic compatibility (EMC).
- Instructions provided indicating not to position ME EQUIPMENT to make it difficult to operate the disconnection device.
- The third conductor in the POWER SUPPLY CORD is only a functional earth.
- The maximum load of this chair is 175kg. There are safety risks associated with being overweight.
- If the user/patient is aware of any serious incident related to the device, they shall report it to the competent authority and manufacturer of the user and/or the patient's member state.
- No contraindications at present.
- To avoid the risk of electric shock, this equipment must only be connected to a supply mains with protective earth.
- The device and accessories are to be disposed of according to local regulations after their service lives. Alternatively, they can be returned to the dealer or the manufacturer for recycling or proper disposal.
- No modification of this equipment is allowed.
- Do not touch the Signal I/O ports if in contact with the patient, otherwise patient injury may result.
- This product can only be operated by medical practitioners with professional qualifications, and patients should not operate by themselves.

3. Precautions

- The equipment should be used by an experienced person who must be familiar with the product structure, performance and instructions. And make the regular maintenance work.
- Read this manual carefully before installation, operation and adjustment. And please keep it well.
- This product shall not be used for single side or single point loading work.
- Comply with safety operation rules, do not overload the use of products, to ensure that the product safety protection equipment is complete and reliable, eliminates unsafe factors on time.
- Tighten bolts and nuts regularly to avoid failure caused by loose, sliding, vibration and falling parts.
- During the maintenance, the operator shall not disassemble any parts of the chair at will.
- This product is not allowed to operate when it's with fault. If abnormal phenomenon or abnormal sound is found, it must be stopped for inspection immediately, and work can be resumed after troubleshooting.
- The operator must be familiar with the precautions described in each section of the manual to ensure the safety of person and product.

- This electric beauty chair is equipped with a three-wire power cord. The power cord must be plugged into a three-hole outlet which is properly installed and grounded. This is not only to prevent the risk of electric shock, but also ensure chair work properly.
- Please operate the equipment strict accordance with the warning label pasted to the products.
- While controlling the lifting of the whole chair, the button must be pressed continuously until the chair in a suitable position.
- Replacement must be carried out by trained professionals. Our company can provide circuit diagrams, troubleshooting guidelines, or other materials that are helpful for maintenance to professional maintenance personnel
- Please pay attention that the continuous working times should be Max. 2Min. ON ; 18Min. OFF, when operating the motor.
- Protection against electric shock: Class I
- Maintenance should be processed by trained professionals.
- After each treatment, please use neutral reagent to clear the dust, stains on leather.
- When adjusting each part, please keep your hands, feet and head away from the position indicated by the arrow. (As shown in the photo)

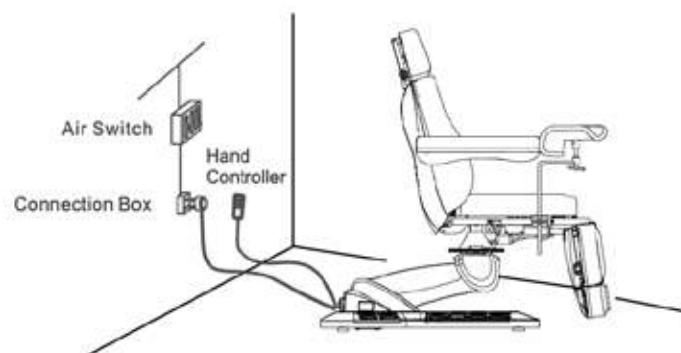


4. Applicable Range

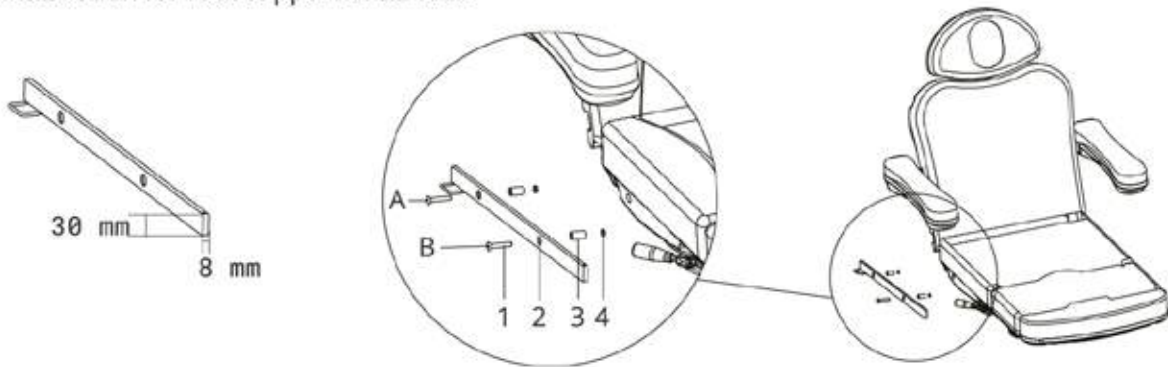
This product is suitable to be used in medical institutions, nursing homes and rehabilitation centers. This product is used for multi-position support operation of patients in medical procedures such as examination or day treatment by medical staff in the clinic.

5. Installation

1. Put the product to a proper location, according to the overall layout, the daylighting or artificial lightings and operation condition of the salon's or the home. And keep it in the clean, dry and cool environment.
2. Open the packing carton to check if the product is intact and whether the accessories or spares are complete. Please contact distributor or us if there's any problem.
3. Installation
Place the product to the proper position. Please note that it is unnecessary to install extra screw on the floor to fasten the chair, because the original design has taken the stability into consideration. But please ensure the product is placed on a firm and flat ground, so as to prevent any accident. If the product rotates or slant due to rough ground, please adjust the four pieces of plastic feet (M10×30) and nuts (M10) by hexagon open-end wrench, which are fasten on the bottom panel, so as to ensure the product is stable.
4. Connect the plug of product with power supply properly. (As shown in the photo)



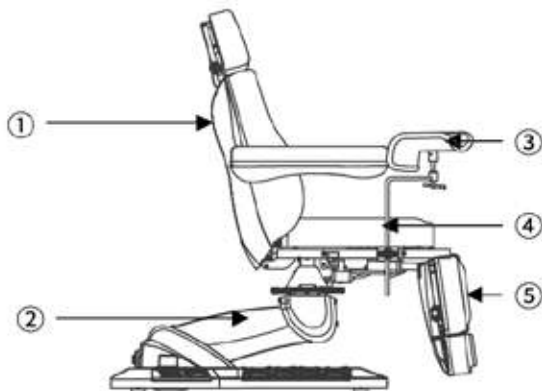
5. Installation for foot support of 2246EB



- 1). ① hexagan socket countersunk head screws.
 ② guide ways of foot support.
 ③ Bushing.
 ④ $\Phi 8$ spring washer.
- 2). Please note the installation location as the picture shown 1 2 3 4.
- 3). Installation and fixing A firstly then B.
- 4). Installation guide ways of foot support on both side.

6. Structure of products

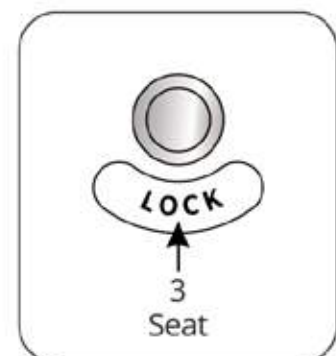
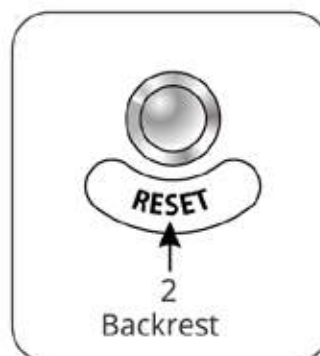
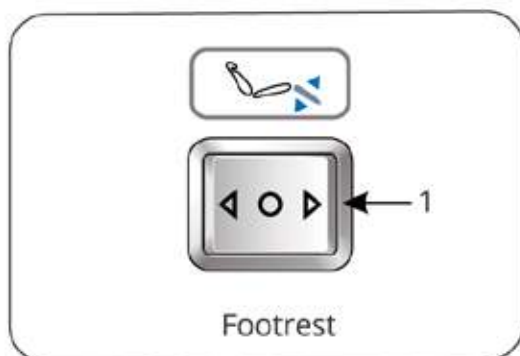
- This product consists of control box, motor, wooden part, hardware, plastic parts and leather. Among them, the control box is controlling the operation of the motors and the hand controller.
- This product includes angle adjustment of the backrest, angle adjustment of the seat cushion and lifting adjustment which is an overall and integral structure.
 (As shown in the photo)



- ① angle adjustment of the backrest
- ② lifting actuator
- ③ stirrups
- ④ angle adjustment of the seat
- ⑤ angle adjustment of the footrest

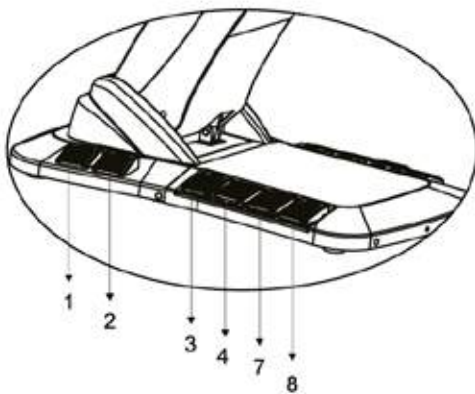
7. Operation Instruction

Standard Configuration (Button Panel)

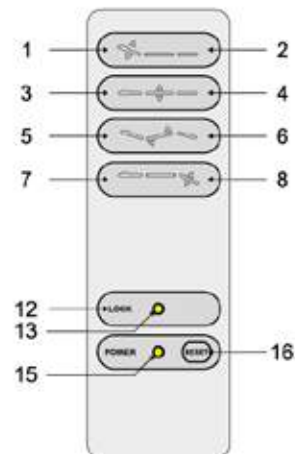


NO.	Description	Operation
1	Button for Footrest Adjustment	Press button up (down), legrest moves up (down), angle decreases (increases) at a constant speed
2	One-key reset button	Press the button, the backrest will automatically move up to the maximum, the seat cushion angle will automatically move to flat, footrest will move down to the minimum, the height of the chair will automatically reach the lowest position.
3	Safe-lock button	Keep pressing the "safe-lock button" for about two seconds, lighting up the green light around the button, all the buttons can not be operated except safe-lock button. Keep pressing the safe-lock button for about two seconds again, the green button light is off, all the buttons return to normal operation status.

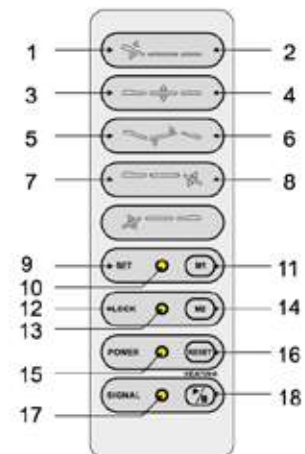
1. Standard Configuration
(Built-in Foot Controller)



2. Optional Configuration
(Hand Controller)



3. Optional Configuration
(Hand Controller)



No.	Description	Operation
1	Backrest moves up	Backrest goes up smoothly by pressing the button.
2	Backrest moves down	Backrest goes down smoothly by pressing the button.
3	Moves up	The bed goes up smoothly by pressing the button.
4	Moves down	The bed goes down smoothly by pressing the button.
5	Seat cushion up	Seat inclining smoothly by pressing the button.
6	Seat cushion down	Seat goes flat smoothly by pressing the button.
7	Footrest moves up	Angle of right footrest decreases smoothly by pressing the button.
8	Footrest moves down	Angle of right footrest increases smoothly by pressing the button.
9	Enter the memory position setting (Option)	The indicator light turns on after pressed the button for 2 seconds, then enter the memory position setting state.
10	Indicator light of memory setting (Option)	

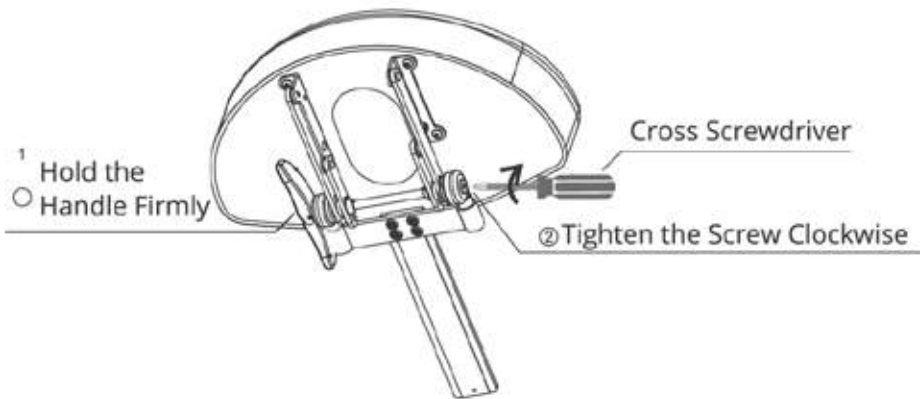
No.	Description	Operation
11	Memory position setting 1(Optional)	1. Pressing the button "SET" for 2 seconds to enter the memory position setting state, the memory position setting indicator is on. Set the position you need, and pressing the button "M1", the actions are set into memory. Exiting the memory position setting state and the indicator goes off. 2. Press the button to move to the memory action state automatically.
12	Safe-lock button	Keep pressing the "safe-lock button" for about two seconds, lighting up the green light around the button, all the buttons can not be operated except safe-lock button . Keep pressing the safe-lock button for about two seconds again, the green button lights go out, all the buttons return to normal operation status.
13	Safe-lock button light	
14	Memory position setting 2(Optional)	1. Pressing the button "SET" for 2 seconds to enter the memory position setting state, the memory position setting indicator is on. Set the position you need, and pressing the button "M2", the actions are set into memory. Exiting the memory position setting state and the indicator goes off. 2. Press the button to move to the memory action state automatically.
15	Power indicator	Hand controller are connected with power supply properly, indicator light is on. Otherwise, it won't light.
16	One-key reset button	Press the button, the backrest angle will automatically move to the maximum, the seat cushion angle will automatically reduce to the minimum, footrest angle will automatically move to the maximum, the height of the bed will automatically reach the lowest position.
17	Indicator light of heating function (Option)	Pressing the button, the light is on, the heating function works; pressing the button again, the light is off, the heating function stops.
18	Heating (Option)	

Notes:

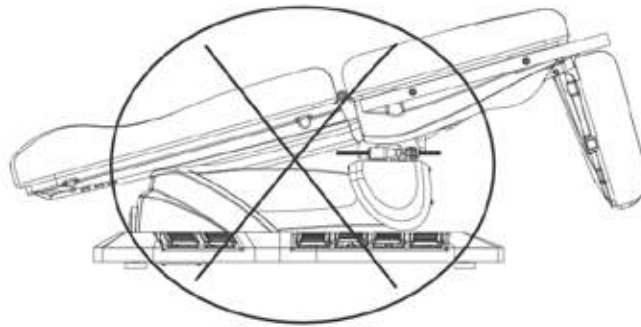
- 1.The memory position setting is only available for the models with memory function.
- 2.The heating function is only available for the models with heating function.
- 3.Different hand controllers should be chosen according to different configuration.

8. Operation Cautions

- If you find the headrest support rod became loose, please follow the above steps to fix it.



- Not allowed to operate seat cushion to tilt when chair is at lowest position.



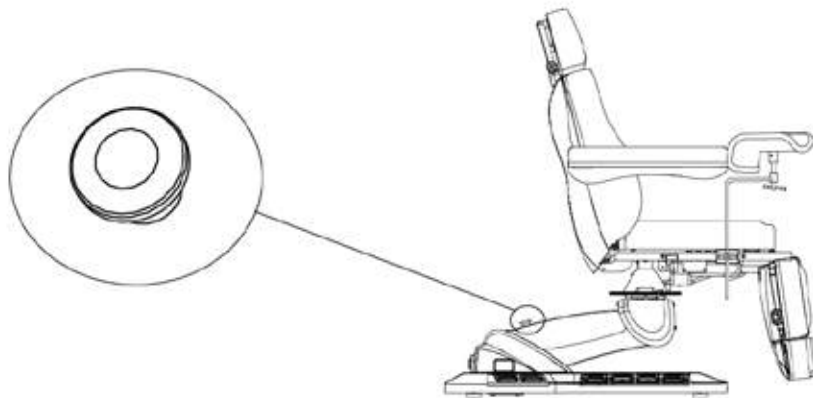
- The position of sliding guide is forbidden to be used for handling assistance, so as not to fracture.



This product graphic is only for display, the specific product structure please refer to the actual product.

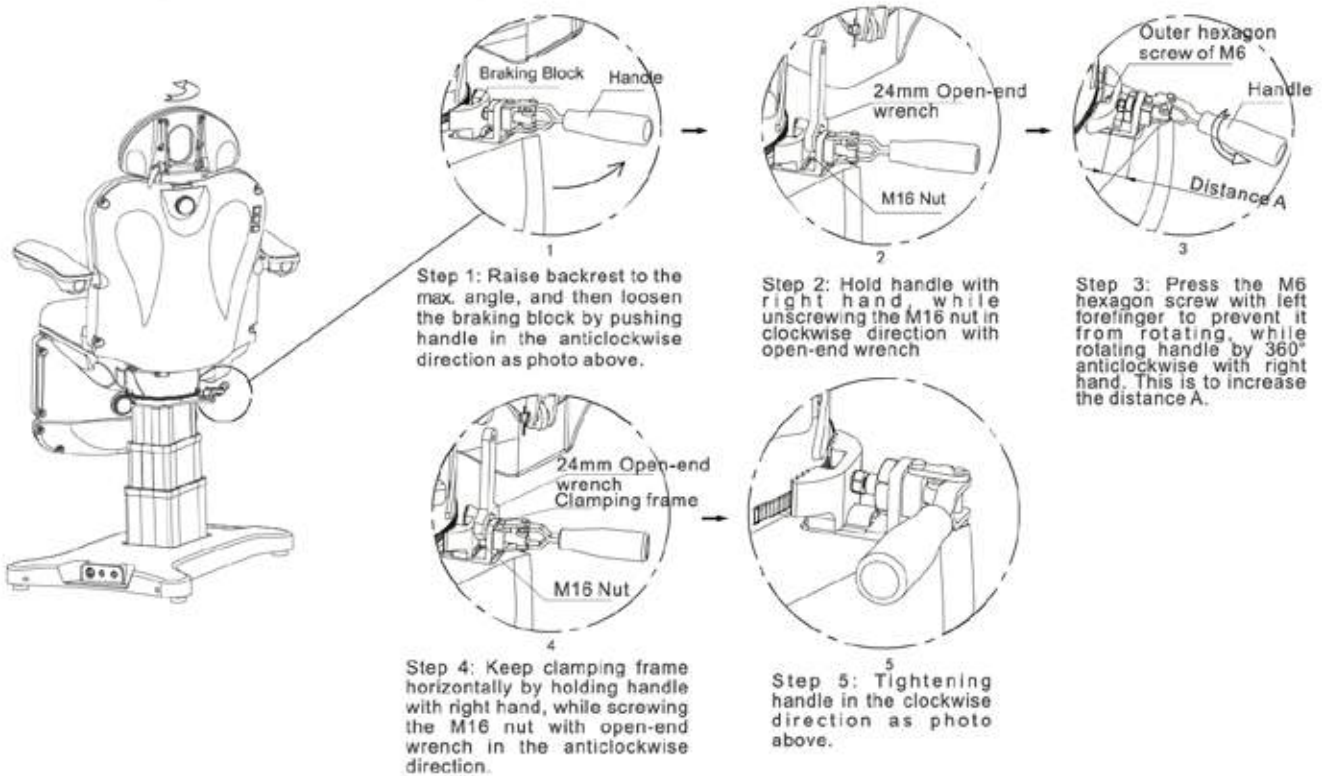
- **Emergency Switch**

Allows the operator to immediately stop the bed in case of an unexpected situation



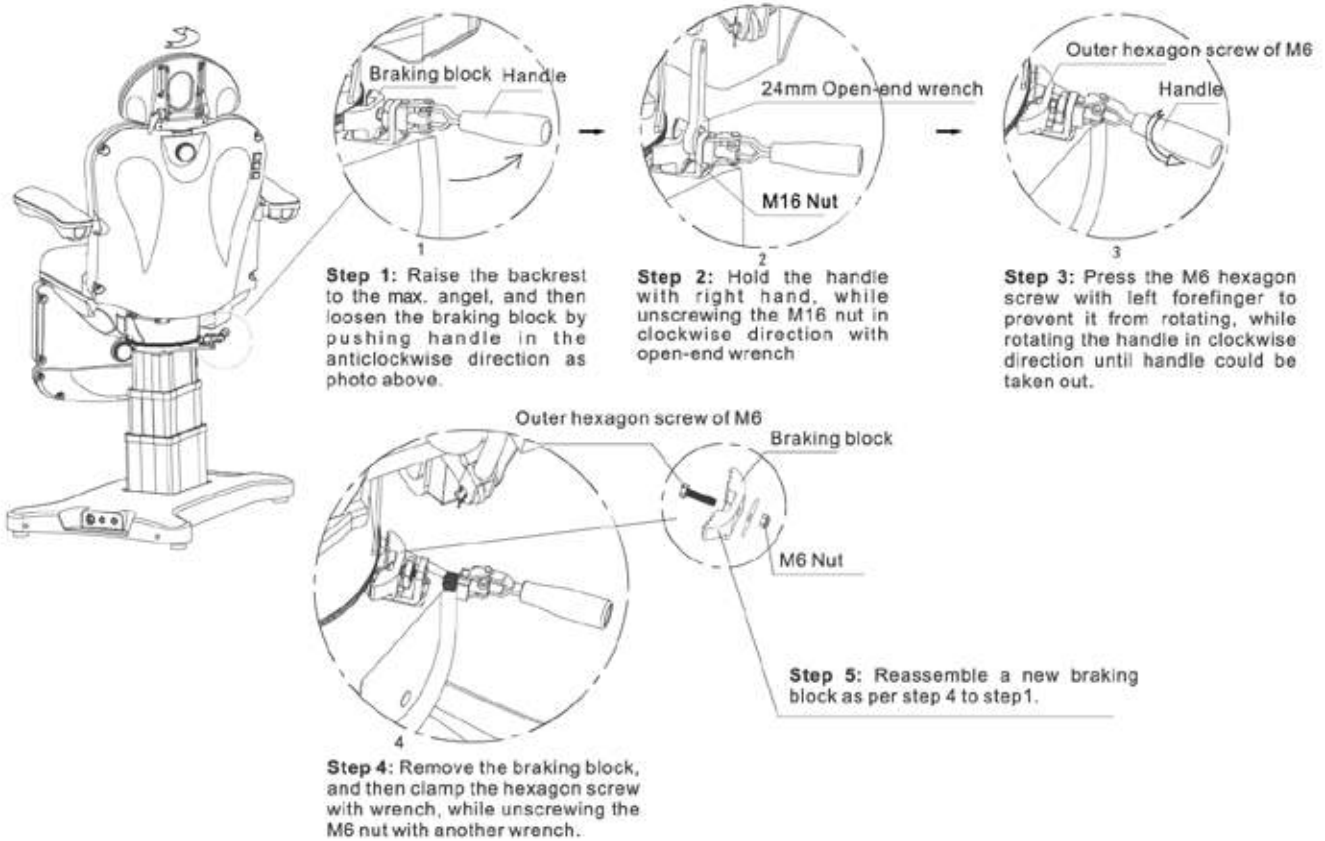
- **Instruction for Tightening the Braking Block**

(This is to tighten the braking block which the gear is frayed.)



• Instruction for Replacing Braking Block

(This is to replace the braking block if the gear of braking block is absolutely worn out and it doesn't work any more.)



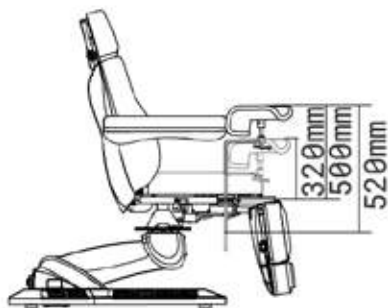
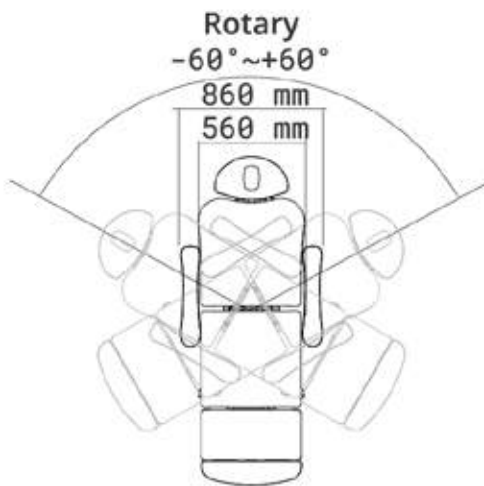
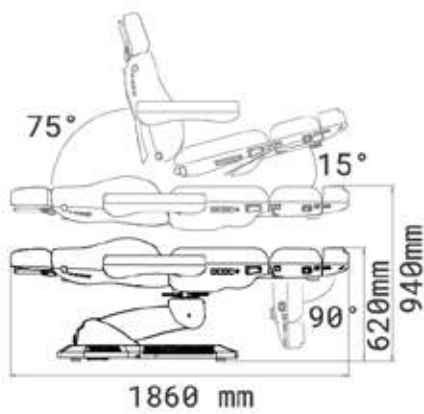
This product graphic is only for display, the specific product structure please refer to the actual product.

9. Technical Parameters

Power	AC 100-120V or AC 220-240V or AC 100-240V, 50/60Hz
Power Rating	300VA(MAX)
Environment Temperature	0°C~+40°C
Relative Humidity	30%~90%
Atmospheric pressure for usage	70~106kpa
Storage and transportation environmental conditions	-5°C to 55°C; ≤80%R.H. ; 70kPa to 106kPa
Loading Capacity	175kg
Package Size	136×82×70cm



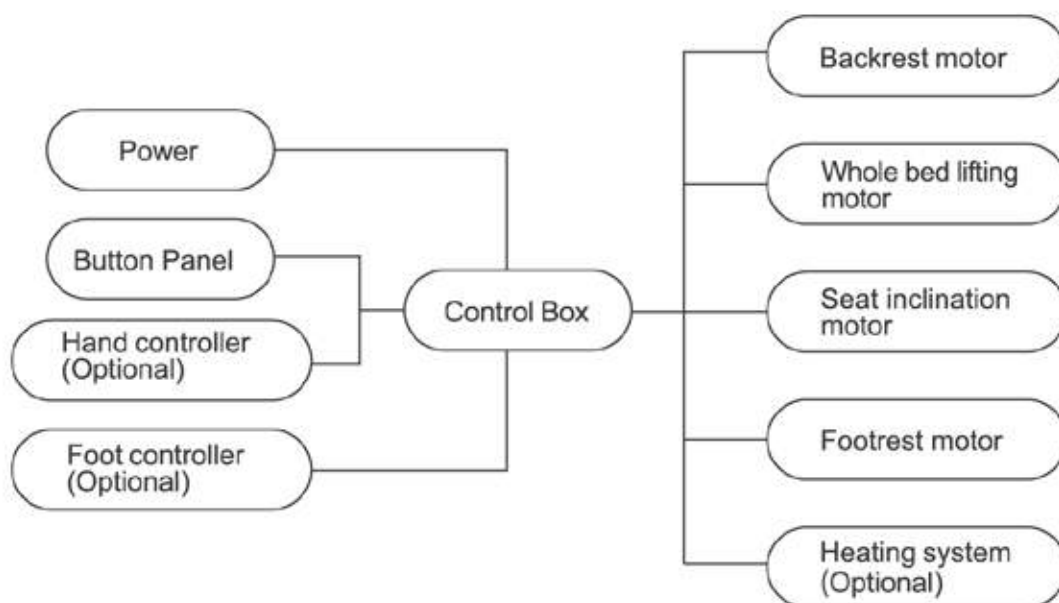
The maximum load capacity of this chair is 175kg.
There are safety risks associated with being overweight.



10. Maintenance

1. After every treatment, please only use neutral solution to clear the dust, stains on leather, metal part or other parts. Disinfecting solution like alcohol, acid or alkaline solution are forbidden. This is to prevent the lifetime of the components from being shortened.
2. Please lubricate the moving parts regularly (once a year)

11. Circuit System Connection Diagram



12. Troubleshooting









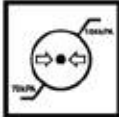










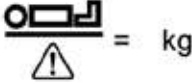


The Fault Phenomenon	Reason	Solution
motor can't work normally	1. The power cord is unconnected or not plugged well.	Connect the power cord or plug it well.
	2. Poor quality of the hand controller or foot controller.	Replace the hand controller or foot controller.
	3. Poor quality of the control box.	Please contact maintenance center or supplier for troubleshooting.
	4. Repture of motor tail.	
	5. Motor was damaged.	
	6. Emergency Switch has been pressed but not reset.	Reset the emergency switch.
Abnormal Sound	1. The rotating parts are short of lubricating oil.	1. Add lubricating oil.
	2. Rotating positions (such as hinge, POM sets, gas lift) are short of lubricating oil.	2. Add lubricating oil.
	3. Motor quality problems.	3. Replace the motor.

If problem is still not solved after above operations, please contact maintenance center or supplier to solve it.

13. Disposal

Contact its local authorities to determine the proper method of disposal.

14. Symbols explanation

	Refer to instruction manual		Manufacturer
	WEEE		CE
	Date of manufacturer		T type B Applied Part
	Warning		Series NO.
	Atmospheric pressure for usage		Temperature limit
	Keep dry from rain rom rain		Fragile, handle with care
	Humidity limitation		Stacking limit by mass of 250kg
	Keep away from sunlight		No tumbling
	Upward		No clasping
	Be careful		Maximum patient weight
	Authorized representative in the European Community		
	Safe working load		

15. EMC Guidance

Warning: Don't use near active HF surgical equipment and the RF shielded room of an ME system for magnetic resonance imaging, where the intensity of EM disturbances is high.

Warning: Use of this equipment adjacent to or stacked with other equipment should be avoided because it could result in improper operation. If such use is necessary, this equipment and the other equipment should be observed to verify that they are operating normally.

Warning: Use of accessories, transducers, and cables other than those specified or provided by the manufacturer of this equipment could result in increased electromagnetic emissions or decreased electromagnetic immunity of this equipment and result in improper operation.

Warning: Portable RF communications equipment (including peripherals such as antenna cables and external antennas) should be used no closer than 12 in (30 cm) to any part of the equipment, including cables specified by the manufacturer. Otherwise, degradation of the performance of this equipment could result.

Guidance and Manufacturer's Declaration – Electromagnetic Emissions

Emissions test	Compliance
RF emissions CISPR 11	Group 1
RF emissions CISPR 11	Class A
Harmonic emissions IEC 61000-3-2	Class A
Voltage fluctuations/ flicker emissions IEC 61000-3-3	Complies

Guidance and Manufacturer's Declaration – Electromagnetic Emissions

Immunity Test	IEC 60601-1-2 Test level	Compliance level
Electrostatic discharge (ESD) IEC 61000-4-2	±8 kV contact ±2 kV, ±4kV, ±8 kV, ±15 kV air	±8 kV contact ±2 kV, ±4kV, ±8 kV, ±15 kV air
Electrical fast transient/burst IEC 61000-4-4	±2 kV for power supply lines ±1 kV for input/output lines	±2 kV for power supply lines ±1 kV for input/output lines
Surge IEC61000-4-5	± 1 kV line(s) to line(s) ± 2 kV line(s) to earth	± 1 kV line(s) to line(s) ± 2 kV line(s) to earth
Voltage dips, short interruptions and voltage variations on power supply input lines IEC 61000-4-11	0 % U ; 0.5 cycle T at 0°,45°,90°, 135°, 180°, 225°, 270°, 315° 0 % UT ; 1 cycle 70 % UT ; 25/30 cycle 0% U ; 250/300 cycle	0 % U ; 0.5 cycle T at 0°,45°,90°, 135°, 180°, 225°, 270°, 315° 0 % UT ; 1 cycle 70 % UT ; 25/30 cycle 0% U ; 250/300 cycle
Power frequency magnetic field IEC 61000-4-8	30 A/m 50Hz/60Hz	30 A/m 50Hz/60Hz
Conducted RF IEC61000-4-6	3 V r.m.s. 150 kHz to 80 MHz 6 V RMS in the ISM bands between 0.15 MHz and 80 MHz	3 V r.m.s. 150 kHz to 80 MHz 6 V RMS in the ISM bands between 0.15 MHz and 80 MHz
Radiated RF IEC61000-4-3	3 V/m 80 MHz – 2,7 GHz 80 % AM at 1 kHz	3 V/m 80 MHz – 2,7 GHz 80 % AM at 1 kHz

NOTE: U is the a.c. mains voltage prior to application of the test level.

Guidance and Manufacturer's Declaration - IMMUNITY to proximity fields from RF wireless communications equipment

Immunity Test	IEC60601 test level				Compliance level
	Test frequency	Modulation	Maximum power	Immunity level	
Radiated RF IEC 61000-4-3	385 MHz	**Pulse Modulation: 18Hz	1.8W	27 V/m	27 V/m
	450 MHz	*FM+ 5Hz deviation: 1kHz sine	2W	28 V/m	28 V/m
	710 MHz 745 MHz 780 MHz	**Pulse Modulation: 217Hz	0.2W	9 V/m	9 V/m
	810 MHz 870 MHz 930 MHz	**Pulse Modulation: 18Hz	2W	28 V/m	28 V/m
	1720 MHz 1845 MHz 1970 MHz	**Pulse Modulation: 217Hz	2W	28 V/m	28 V/m
	2450 MHz	**Pulse Modulation: 217Hz	2W	28 V/m	28 V/m
	5240 MHz 5500 MHz 5785 MHz	**Pulse Modulation: 217Hz	0.2W	9 V/m	9 V/m

Note* - As an alternative to FM modulation, 50 % pulse modulation at 18 Hz may be used because while it does not represent actual modulation, it would be worst case.

Note** - The carrier shall be modulated using a 50 % duty cycle square wave signal.



SILVERFOX CORPORATION LIMITED

Address: No.18, 1st TongLe Road, TangXia Town, PengJiang District, JiangMen City,
GuangDong Province, China

Sales Tel: +86 750-2633320 2633816, +86 20-87514019

After sales Tel: 020-87514052

E-mail: medical@silverfox.cn

Website: sliverfox.cn



Lotus NL B.V.

Koningin Julianaplein 10, 1e Verd, 2595AA, The Hague, Netherlands.

Tel: +31644168999 E-mail: peter@lotusnl.com



Do not dispose of old or defective appliances in domestic garbage;
this should only be done through public collection points.

▲ Please check the product specification before use. This manual is for
reference only. Specifications are subject to change without prior notice.