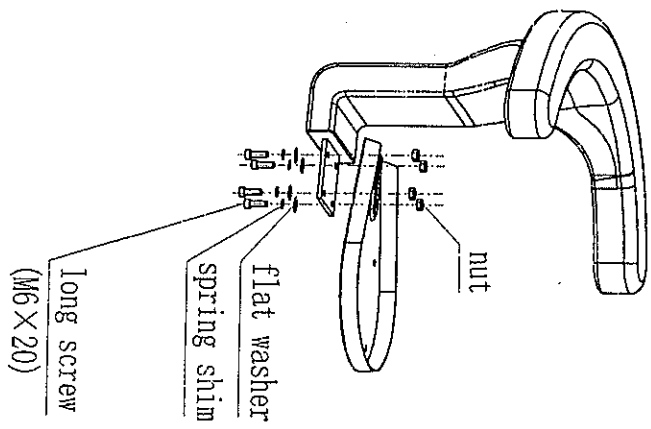
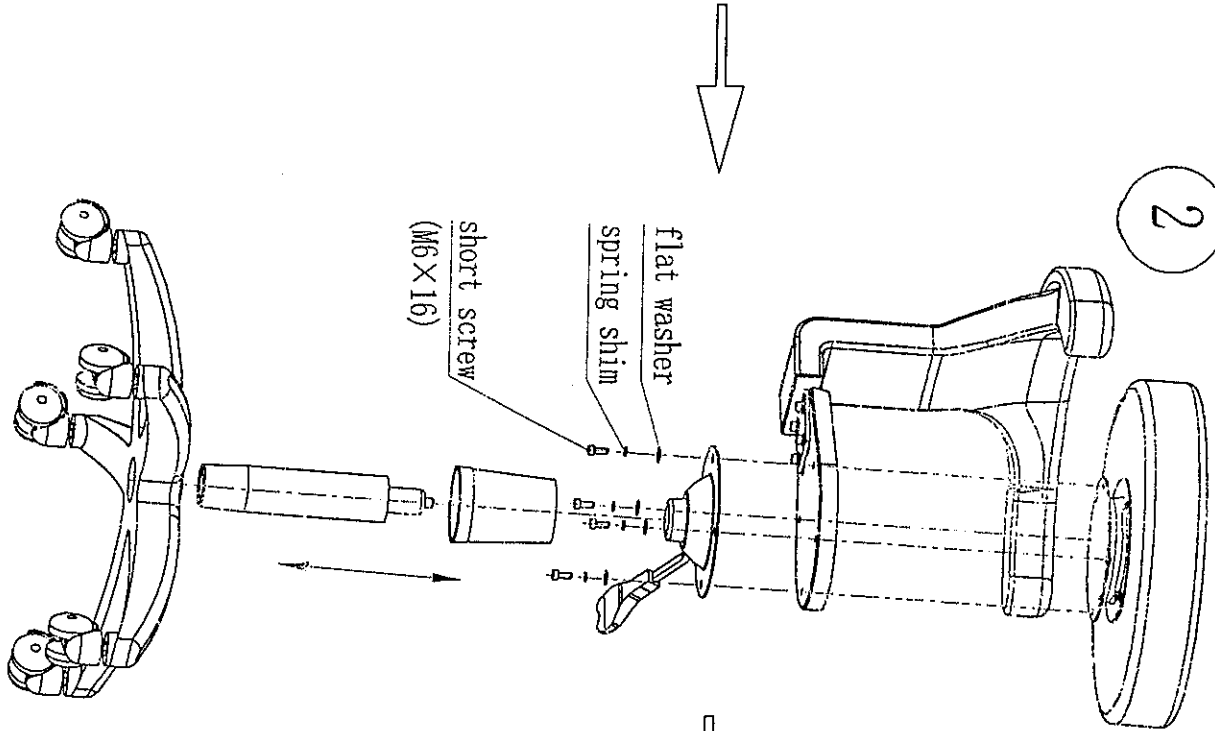


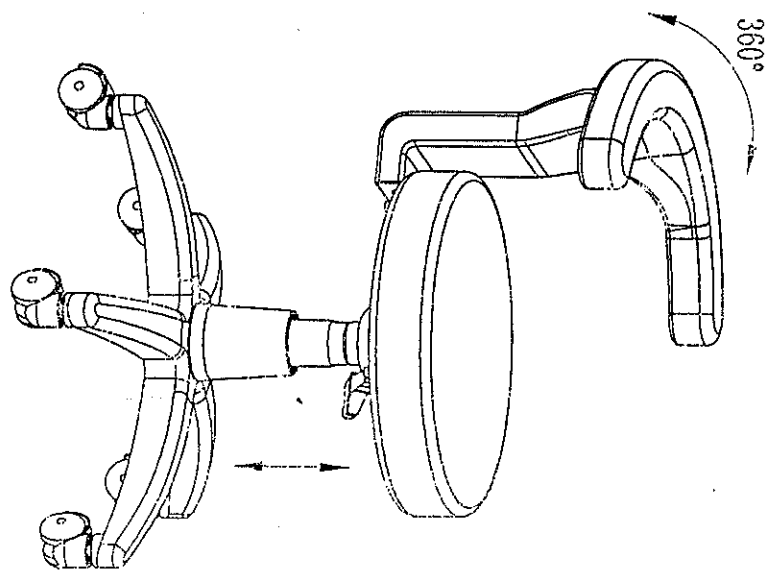
1



2



3



THE INSTALLTION DIAGRAM FOR 1028