

Work happily



V1.2

naggura'swop

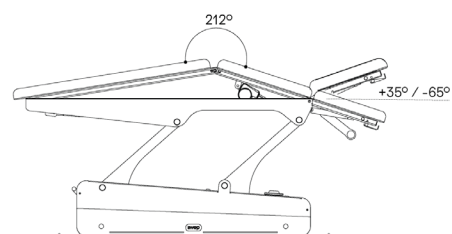
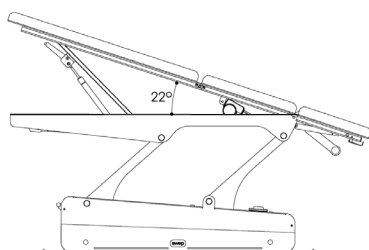
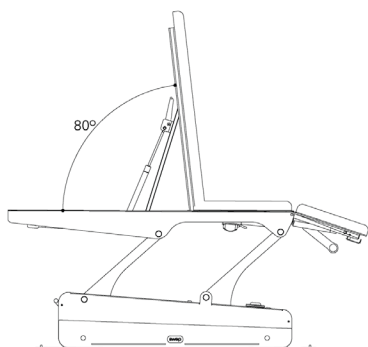
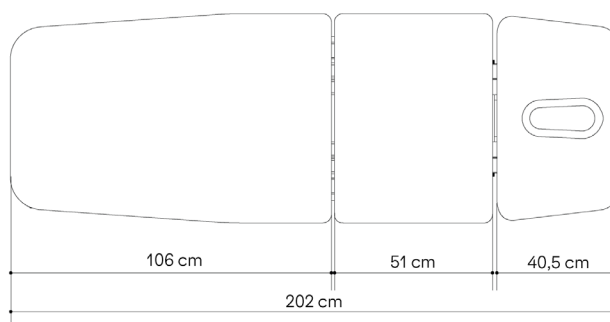
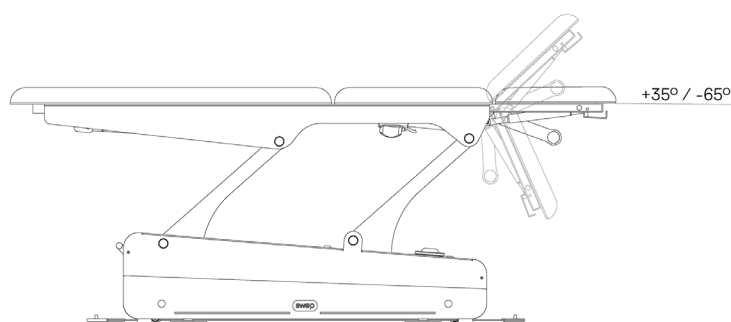
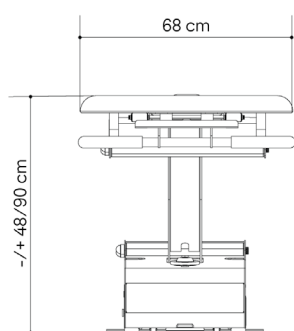
naggura.com

Swop 3 Physio

  Physiotherapy



Dimensions



General Specifications

MOTORS

1 engine height (6000N)
1 engine middle section
(6000N)

DIMENSIONS (LENGTH X WIDTH)
202 x 68 cm

HEIGHT (MIN. AND MAX.)
48/90 cm

WEIGHT
102 kg

LIFTING CAPACITY
200 kg

POWER SUPPLY
230 V - 50/60 Hz

FRAME COLOUR

Space ball is RAL 7015
Base Frame is RAL 7047

INSULATION CLASS
Reinforced insulation II

PRODUCT CLASSIFICATION
Class I Equipment

APPLIED PARTS
Type B

MOISTURE RESISTENCE
IPx0

FEEDER CABLE
2,5m, white

Operation

Head section with 2 gas springs. Handlebar.

Space ball peripheral switch, easy access from all sides of the table.

4 wheels turning 360°. Fully integrated system underneath the base frame. 1 Central lever.

Electrically adjustable middle section. Switches on both sides.

Foot section with 1 gas spring

Upholstery

Thickness: 5cm

Density: 40kg/m³

Breathing hole and plug.

Seamless upholstery with round edges.

Naggura Skin upholstery: 100% vinyl compound.

Protection against germs and UV rays.

Superior abrasion resistance: >250K cycles.

Flame retardancy: NF P 92-503/M2

Colour: Graphite

Warranty and conformity

WARRANTY

2 years on table and upholstery

CONFORMITY

EN ISO 14971: 2019, EN ISO 20417:2021,

EN ISO 15223-1: 2016, ISO 10993-1: 2018,

EN ISO 10993-5: 2009, EN ISO 10993-10: 2013,

EN ISO 13485:2016,

EN 60601-2-52:2010+ AC:2011+A1:2015,

EN 60601-1-2:2015+ A1:2020,

EN 60601-1:2006+ A1:2013+AC:2014+A12:2014 +A2:2020

Collections



Nordic METAL



Yellow



Blue



Pink

Foll METAL



Ash



Clay

Iron METAL



Inox



Black

Om WOOD



Oak



Wenge

Techno PMMA



Fluor



Fuxia



Ice

Accessories

Paper roll holder



Bed Covers



Safety

Safety switch with key (power off).

Motor with safety clutch.