

HaloTM

TABLE MAGNIFIER



Fact Sheet



Perfect for projects requiring close attention to detail. The LEDs circle the magnification lens for consistent lighting over your project. At home or on the go, the powerful lens provides clever magnification, while daylight LEDs offer high colour contrast, so you can perfectly colour-match and whip up the tiniest of projects with ease! The lens can be covered when used as a lamp

LED 6,000 K daylight

4,000 Lux at 15cm

3 brightness levels



LIGHT QUALITY



ERGONOMICS



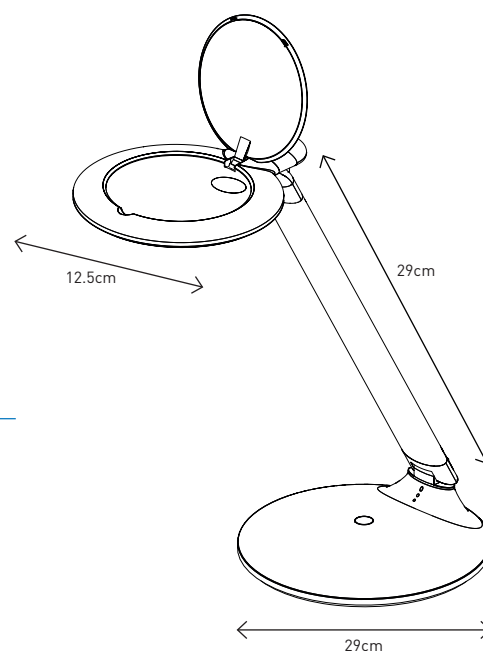
DESIGN

daylightcompany.com

HaloTM

D25200

TABLE MAGNIFIER



FEATURES

- Compact design
- Folds flat
- 5 diopters magnification lens (2.25X)
- 12 diopters magnification inset lens (4.0X)
- 3 brightness levels
- 9cm diameter lens

SPECIFICATIONS

Product information

Weight	0.7kg
Colour	White/ Silver
Cable length	2m

Light output

Light source	LED
Lumens	315lm
Lux at 15cm	6,000 / 4,000
Colour temperature	6,000K
CRI	80+
Energy consumption	6W

Packaging information

Height	36.5cm
Width	15.5cm
Depth	5.5cm
Packed weight	0.9kg
Products per master carton	8